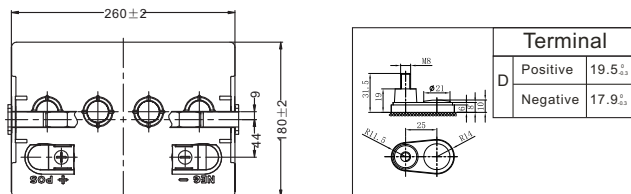
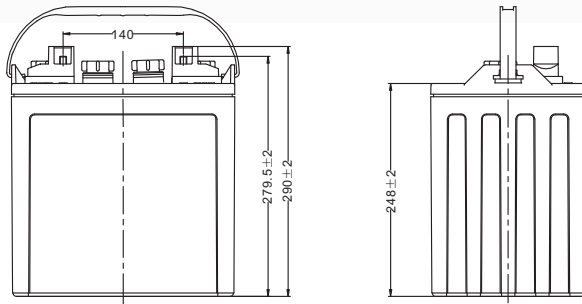
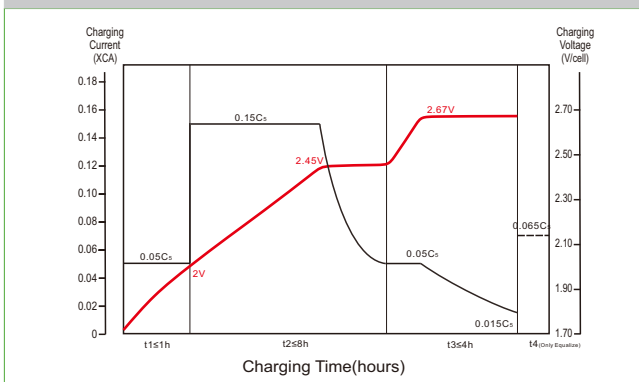


DT SERIES FLOODED BATTERY

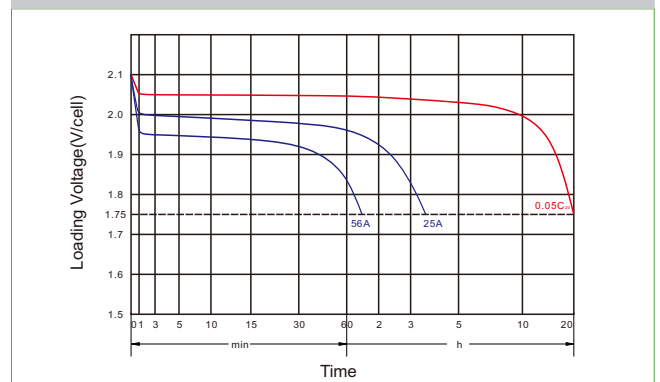
DT866 (8V150Ah)



Charging Characteristics



Discharge Characteristics



Designed in compliance with applicable BCI standard.
Tested in compliance to BCI standard.

Leoch International Technology Ltd.
www.leoch.com

Leoch Batteries Pte Ltd
www.leoch.sg

Leoch Battery Corporation
www.leoch.us

Leoch Europe S.A.
www.leoch.eu

CHARACTERISTICS

Item	Specifications	
Voltage	8V	
Dimension	Length	260mm (10.2inches)
	Width	180mm (7.09inches)
	Container Height	248mm (9.76inches)
	Total Height	279.5mm (11.0inches)
Approx Weight	26.5kg (58.4lbs)	
Terminal	DT-M8(A)	
Container Material	PP	
Rated Capacity	20HR	150Ah
	5HR	125Ah
Reserve Capacity	25A	225min
	56A	90min

GENERAL FEATURES

- Long cycle service life, strong recovery ability of deep discharge
- Low risk of thermal runaway, easy maintenance
- High energy, low internal resistance, low self-discharge
- Reliable sealing structure ensures no leakage during use
- Special design and structure increase battery performance
- The special alloy improves the corrosion resistance of the plate increases the service life and good deep discharge performance

APPLICATIONS

- Electric vehicle
- Golf cart
- Sightseeing bus
- Cleaning equipment
- AWP
- Marine&RV